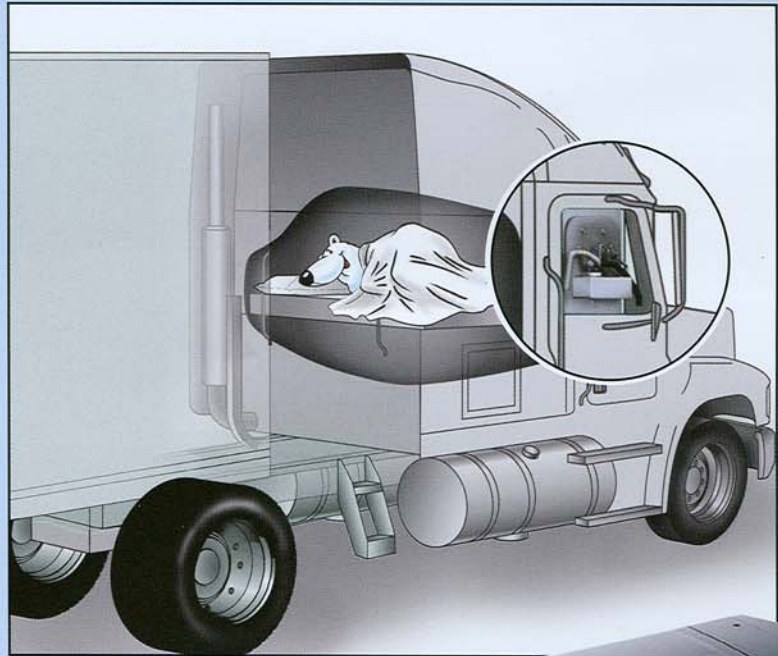
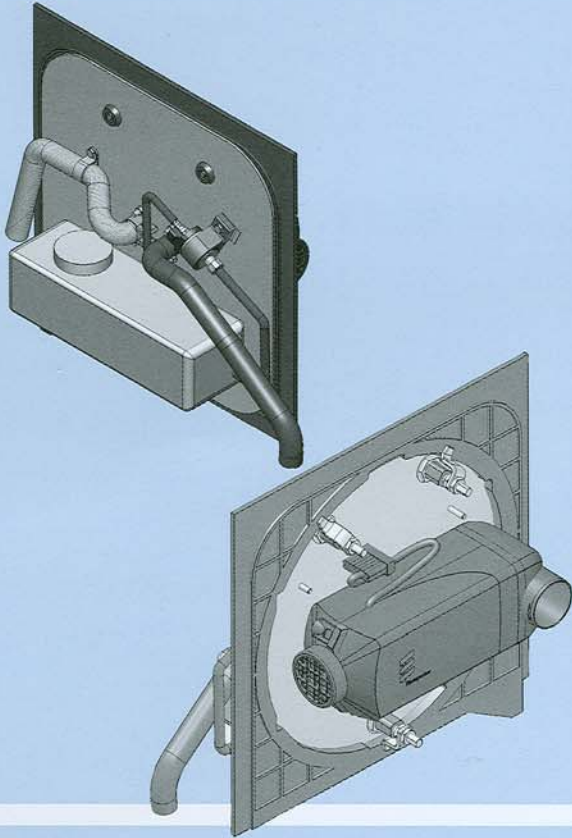


Baire Necessity AIRTRONIC D2

... portable heating system from Espar



800-387-4800

- ! PORTABLE/ INTERCHANGEABLE
- ! WARMS BUNK
- ! REDUCES IDLING
- ! REDUCES ENGINE WEAR
- ! CARB CERTIFIED
- ! SAVES MONEY
- ! DRIVER COMFORT



www.espar.com

Espar Heater Systems

Baire Necessity

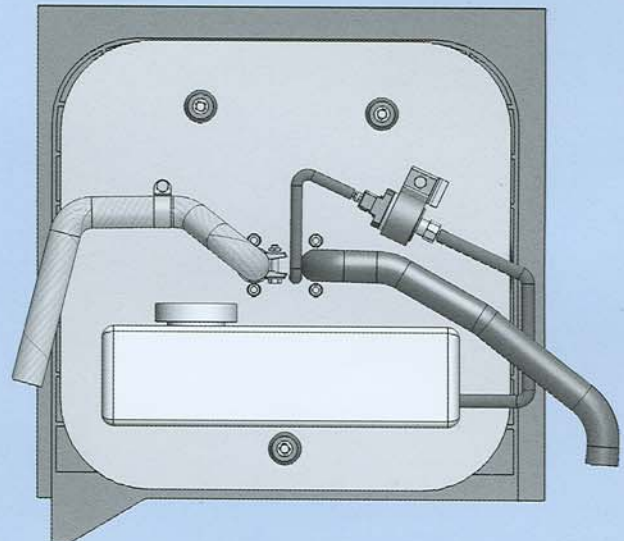
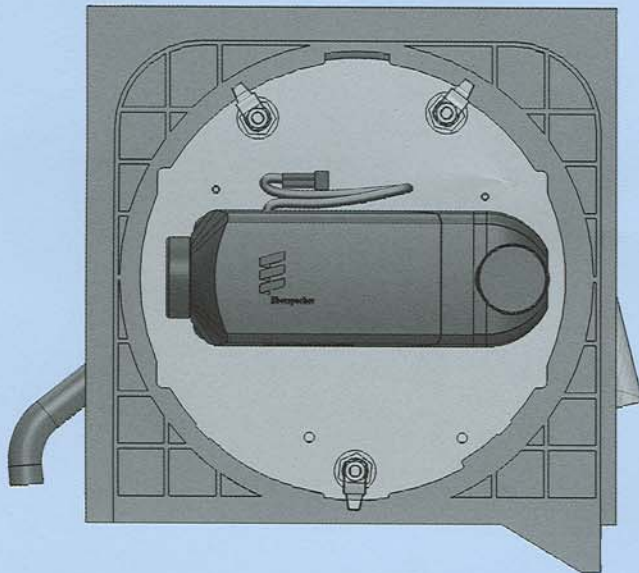
AIRTRONIC D2



Espar Heater Systems

6099A Vipond Drive
Mississauga, Ontario
L5T 2B2, Canada
905-670-0960
800-387-4800
905-670-0907 fax
inquiries@espar.com
www.espar.com

Espar's Baire Necessity heating system allows drivers to stay warm in any truck without the permanent installation of a heater. Drivers can take this system with them as they move from truck to truck and freight terminals can supply them to drivers for temporary no idle relief. This system meets every demand of Fleets and Owner Operators across North America.



AIRTRONIC D2 specs.	12v
Heating Output - BTu/hr	2,900 - 7,500
Electrical Consumption - Amps	0.67(low) - 2.8(high)
Fuel Consumption - gal/h	0.026 - 0.06
Weight - lbs	6
Dimensions - inches (l x w x h)	12.2 x 4.5 x 4.8



a member of the **Eberspächer** group of companies